

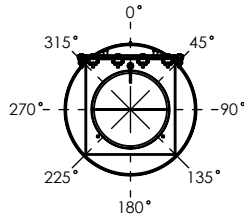
# CLASS 4 GRADE: 30-38 dB ATTENUATION

## NOTES:

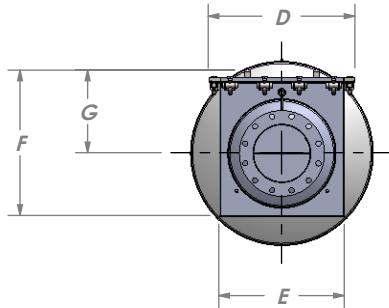
- WEIGHTS ARE APPROXIMATE WITH (2) ELEMENTS
- THIS EQUIPMENT SHALL BE SUPPORTED SUCH THAT NO MOMENTS OR FORCES ARE ON THE INLET AND OUTLET FLANGES
- ACCESS DOOR BOLTS: FULLY THREADED HEX HEAD CAP SCREWS - 5/8"-11 x 3", 304 SS ON STAINLESS STEEL UNITS AND GRADE 5 ZINC PLATED ON CARBON STEEL UNITS
- ACCESS DOOR GASKET: 1/8" THICK BY 1 1/2" WIDE VERMICULITE COATED CENTER SLOTTED (PSA) FLAT GASKET
- ELEMENT SEALING GASKET: INSWOOL 2300 COMPOSITE GASKET

## PREMIUM OPTIONS:

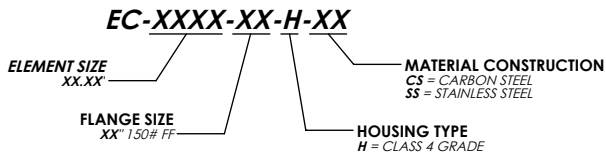
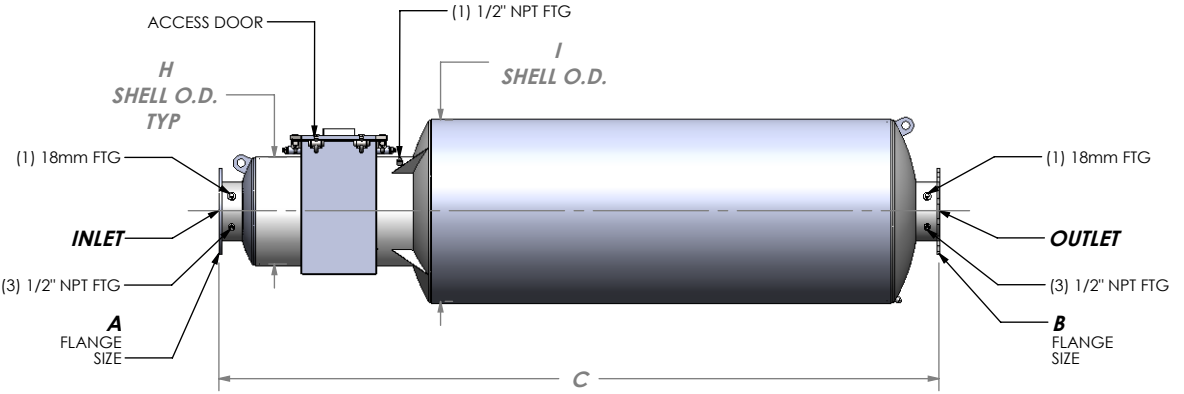
- TRUNIONS (CUSTOMER TO SPECIFY SIZE, LOCATION AND ORIENTATION OFF THE INLET FLANGE).
- FLANGE SIDE ENTRY/OUTLET (CUSTOMER TO SPECIFY ORIENTATION - 45°, 90°, 180°, ETC WITH 0° ALWAYS ALIGNED WITH LOCATION OF THE HOUSING LID, LOOKING DOWN THE LONG AXIS OF THE CONVERTER, SPECIFY DEGREES OF FLANGE CENTERLINE AS VIEWED FROM THE INLET END.
- STAINLESS STEEL ASSEMBLIES WILL BE SUPPLIED WITH CARBON STEEL FLANGES AS STANDARD. STAINLESS STEEL FLANGES CAN BE SUBSTITUTED FOR AN ADDITIONAL FEE.
- EXTRA PORTS.
- FLANGE SIZE OTHER THAN EC STANDARD (NOTE: PRESSURE DROP (DP) SHOULD BE VERIFIED FOR ALL SMALLER FLANGE SIZE REQUESTS).



SIDE INLET/OUTLET ORIENTATION



MODEL	WEIGHT (lbs.)	A (in.)	B (in.)	C (in.)	D (in.)	E (in.)	F (in.)	G (in.)	H(in.)	I (in.)	ACCESS DOOR GASKET (ft.)	ELEMENT SEALING GASKET P/IN
EC-0800-02-H-XX	227	2" - 150#	2" - 150#	74.000	16.000	12.019	15.485	9.476	8.394	14.499	5	EG-EC0800
EC-0800-03-H-XX	257	3" - 150#	3" - 150#	77.000	16.000	12.019	15.485	9.476	8.394	16.499	5	EG-EC0800
EC-1000-02-H-XX	242	2" - 150#	2" - 150#	74.000	18.000	14.019	17.485	10.476	10.394	14.499	5	EG-EC1000
EC-1000-03-H-XX	272	3" - 150#	3" - 150#	77.000	18.000	14.019	17.485	10.476	10.394	16.499	5	EG-EC1000
EC-1200-03-H-XX	293	3" - 150#	3" - 150#	79.000	20.000	16.019	19.485	11.476	12.394	16.499	6	EG-EC1200
EC-1200-04-H-XX	354	4" - 150#	4" - 150#	88.000	20.000	16.019	19.485	11.476	12.394	18.499	6	EG-EC1200
EC-1200-05-H-XX	417	5" - 150#	5" - 150#	91.000	20.000	16.019	19.485	11.476	12.394	22.499	6	EG-EC1200
EC-1450-05-H-XX	443	5" - 150#	5" - 150#	90.000	22.500	18.519	22.735	13.476	16.394	22.499	6	EG-EC1450
EC-1450-06-H-XX	557	6" - 150#	6" - 150#	95.000	22.500	18.519	22.735	13.476	16.394	26.394	6	EG-EC1450
EC-1450-08-H-XX	719	8" - 150#	8" - 150#	109.000	22.500	18.519	22.735	13.476	16.394	30.394	6	EG-EC1450
EC-1950-06-H-XX	628	6" - 150#	6" - 150#	101.000	27.500	23.519	27.235	15.476	20.394	26.394	7	EG-EC1950
EC-1950-08-H-XX	790	8" - 150#	8" - 150#	115.000	27.500	23.519	27.235	15.476	20.394	30.394	7	EG-EC1950
EC-1950-10-H-XX	1036	10 - 150#	10 - 150#	135.000	27.500	23.519	27.235	15.476	20.394	34.394	7	EG-EC1950
EC-2150-10-H-XX	1187	10 - 150#	10 - 150#	134.000	30.000	25.625	29.563	16.750	22.500	34.394	7	EG-EC2150
EC-2150-12-H-XX	1452	12 - 150#	12 - 150#	157.000	30.000	25.625	29.563	16.750	22.500	36.394	7	EG-EC2150
EC-2150-14-H-XX	1685	14 - 150#	14 - 150#	159.000	30.000	25.625	29.563	16.750	22.500	42.394	7	EG-EC2150
EC-2350-10-H-XX	1214	10 - 150#	10 - 150#	134.000	32.000	27.625	31.563	17.750	24.500	34.394	8	EG-EC2350
EC-2350-12-H-XX	1479	12 - 150#	12 - 150#	157.000	32.000	27.625	31.563	17.750	24.500	36.394	8	EG-EC2350
EC-2350-14-H-XX	1713	14 - 150#	14 - 150#	159.000	32.000	27.625	31.563	17.750	24.500	42.394	8	EG-EC2350
EC-2650-10-H-XX	1247	10 - 150#	10 - 150#	133.000	35.000	30.625	34.063	18.750	26.500	34.394	8	EG-EC2650
EC-2650-12-H-XX	1513	12 - 150#	12 - 150#	156.000	35.000	30.625	34.063	18.750	26.500	36.394	8	EG-EC2650
EC-2650-14-H-XX	1747	14 - 150#	14 - 150#	158.000	35.000	30.625	34.063	18.750	26.500	42.394	8	EG-EC2650
EC-2850-12-H-XX	1545	12 - 150#	12 - 150#	156.000	37.000	32.625	36.063	19.750	28.500	36.394	9	EG-EC2850
EC-2850-14-H-XX	1779	14 - 150#	14 - 150#	158.000	37.000	32.625	36.063	19.750	28.500	42.394	9	EG-EC2850
EC-2850-16-H-XX	2285	16 - 150#	16 - 150#	195.000	37.000	32.625	36.063	19.750	28.500	45.394	9	EG-EC2850
EC-3025-14-H-XX	1809	14 - 150#	14 - 150#	158.000	38.750	34.375	37.938	20.750	30.500	42.394	9	EG-EC3025
EC-3025-16-H-XX	2315	16 - 150#	16 - 150#	195.000	38.750	34.375	37.938	20.750	30.500	45.394	9	EG-EC3025
EC-3025-18-H-XX	2883	18 - 150#	18 - 150#	233.000	38.750	34.375	37.938	20.750	30.500	48.394	9	EG-EC3025
EC-3025-20-H-XX	3226	20 - 150#	20 - 150#	232.000	38.750	34.375	37.938	20.750	30.500	54.394	9	EG-EC3025
EC-3350-16-H-XX	2432	16 - 150#	16 - 150#	205.000	42.000	37.625	41.563	22.750	34.500	45.394	9	EG-EC3350
EC-3350-18-H-XX	3001	18 - 150#	18 - 150#	243.000	42.000	37.625	41.563	22.750	34.500	48.394	9	EG-EC3350
EC-3350-20-H-XX	3343	20 - 150#	20 - 150#	242.000	42.000	37.625	41.563	22.750	34.500	54.394	9	EG-EC3350
EC-3550-16-H-XX	2465	16 - 150#	16 - 150#	204.000	44.000	39.625	43.563	23.750	36.500	45.394	10	EG-EC3550
EC-3550-18-H-XX	3032	18 - 150#	18 - 150#	242.000	44.000	39.625	43.563	23.750	36.500	48.394	10	EG-EC3550
EC-3550-20-H-XX	3375	20 - 150#	20 - 150#	240.000	44.000	39.625	43.563	23.750	36.500	54.394	10	EG-EC3550



DRAWN	JU	DATE	5/20/2013
ENGINEER	-	DATE	-
APPROVED	-	DATE	-

**PROPRIETARY AND CONFIDENTIAL**

THIS DRAWING CONTAINS PROPRIETARY INFORMATION WHICH IS TO BE HELD CONFIDENTIAL AND MAY NOT BE REPRODUCED OR DISCLOSED TO OTHERS WITHOUT THE PRIOR WRITTEN CONSENT OF EMERACHEM OR A DULY AUTHORIZED REPRESENTATIVE THEREOF.

**e<sup>c</sup> EmeraChem™**

DRAWING EC-XXXX-XX-H-XX SD Rev.3 REV **3**

**CLASS 4 GRADE COMBO SIZING DRAWING**

SHEET 1 OF 1